



### FEATURES:

- Cast iron motor housing with powder coated epoxy finish
- Recessed, non-clogging vortex impeller design provides great solids-passing capability
- Carrying handle for easy installation and removal
- Removable screened bottom for easy cleaning

### APPLICATIONS:

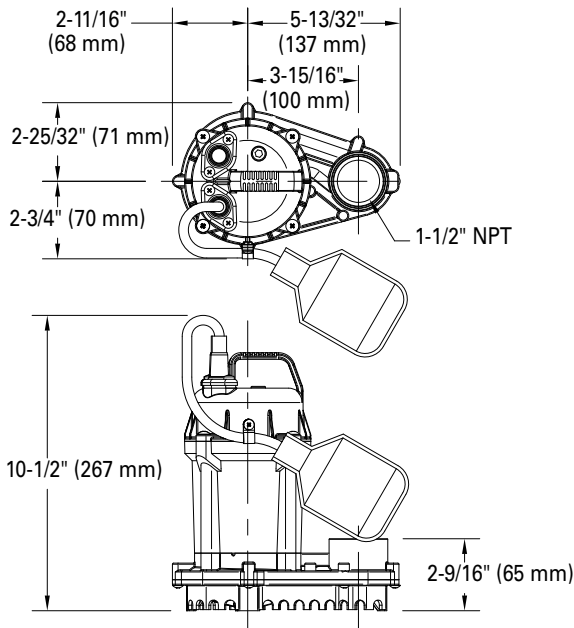
- Sump/effluent handling
- Dewatering
- Water transfer

### OPTIONAL:

- Additional cord lengths available in 7.6 m (25') and 10.6 m (35')
- Available with a 4.5 m (15') cord and a type G plug

\* Power cords less than 10.0 m (33') are intended for indoor use only.

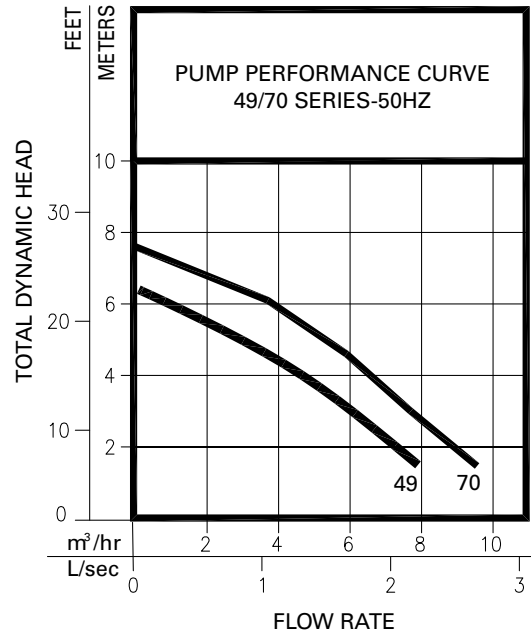
### Automatic Design



SK2635



Model	Mode	Volt	Ph	Amp	Motor		Weight	
					kW (p1)	HP	kg.	Lbs.
WU49	Auto	220	1	1.6	0.36	1/4	5	11
U49	Auto	220	1	1.6	0.36	1/4	5	11
V49	Non	220	1	1.6	0.36	1/4	5	11
WU70	Auto	220	1	2.2	0.44	1/3	5	11
U70	Auto	220	1	2.2	0.44	1/3	5	11
V70	Non	220	1	2.2	0.44	1/3	5	11



081152

PUMP	Material	
	Pump Housing	Glass-filled polypropylene
	Impeller	Engineered plastic
	Shaft Seal	Carbon and ceramic
	Seal and gasket	NBR
	Power Cord	SOW/SOOW (CE model H07RN-F)
MOTOR	Design Features	
	Impeller	Non-clogging vortex
	Bearings	Ball bearing upper/lower
	Solid Passing	9 mm (3/8") spherical solids
	Power Cord Length	4.5 m (15') standard for CE models
	Motor Housing	Cast iron
	Type	Permanent split capacitor
	RPM	2800
Rotor	SAE 1117 carbon steel	
Insulation Class	B	
Motor Protection	Auto reset thermal overload	
Protection Class	IPX8	
Cooling	Oil filled	
<b>Maximum Fluid Temperature</b>		40 °C (104 °F)
<b>Discharge Size</b>		1-1/2" NPT
<b>Max. Submersion Depth</b>		6 m (20')
<b>Hardware</b>		Stainless steel
<b>On/Off Point</b>		28.6 cm (11-1/4") / 10.5 cm (4-1/8")