



FEATURES:

- Durable cast iron motor and pump housing with powder coated epoxy finish
- Stainless steel hardware provides improved corrosion resistance
- Vent hole prevents air lock
- Lifting handle for easy installation and removal

APPLICATIONS:

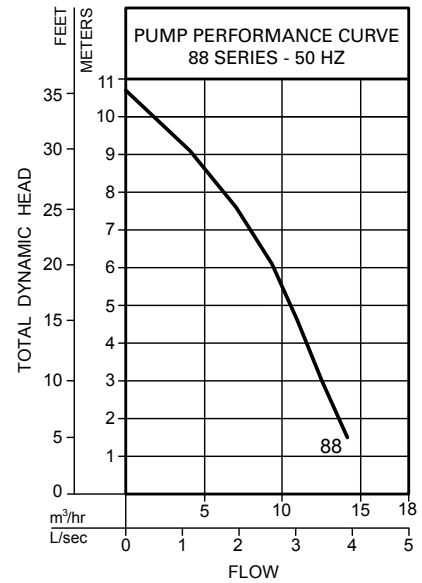
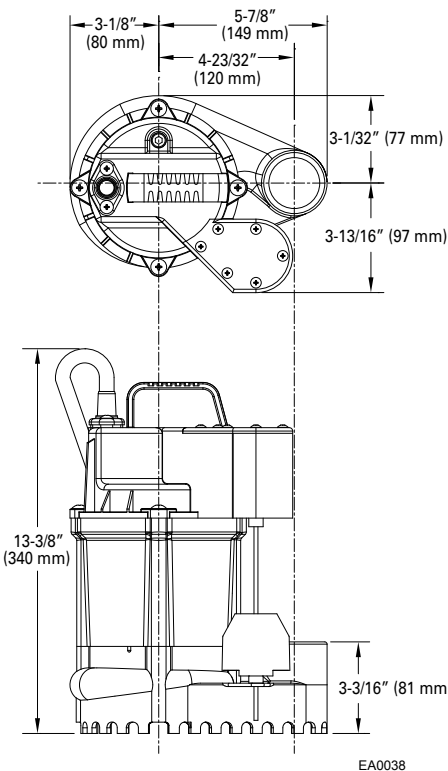
- Water transfer
- Construction site water removal
- Basement water removal

OPTIONAL:

- Additional cord lengths available in 6.0 m (20') or 10.0 m (33')
- Available with a 4.5 m (15') cord and a type G plug

* Power cords less than 10.0 m (33') are intended for indoor use only.

Automatic Design



081185

		Material	
PUMP	Pump Housing	Cast iron	
	Impeller	Engineered plastic	
	Shaft Seal	Carbon and ceramic	
	Seal and gasket	NBR	
	Power Cord	HO7RN-F	
			Design Features
MOTOR	Impeller	Non-clogging vortex	
	Bearings	Ball bearing upper/lower	
	Solid Passing	9 mm (3/8") spherical solids	
	Power Cord Length	4.5 m (15') standard for CE models	
	Motor Housing	Cast iron	
	Type	Permanent split capacitor	
	RPM	2800	
	Insulation Class	B	
Motor Protection	Auto reset thermal overload		
Protection Class	FPX8		
Cooling	Oil filled		
Maximum Fluid Temperature		40 °C (104 °F)	
Discharge Size		1-1/2" NPT	
Max. Submersion Depth		6 m (20')	
Hardware		Stainless steel	
On/Off Point		18 cm (7") / 7.6 cm (3")	

Model	Mode	Volt	Ph	Amp	Motor		Weight	
					kW (p1)	HP	kg.	Lbs.
U88	Auto	220	1	3.8	0.76	3/4	11	24
WU88	Auto	220	1	3.8	0.76	3/4	11	24
V88	Non	220	1	3.8	0.76	3/4	11	24

