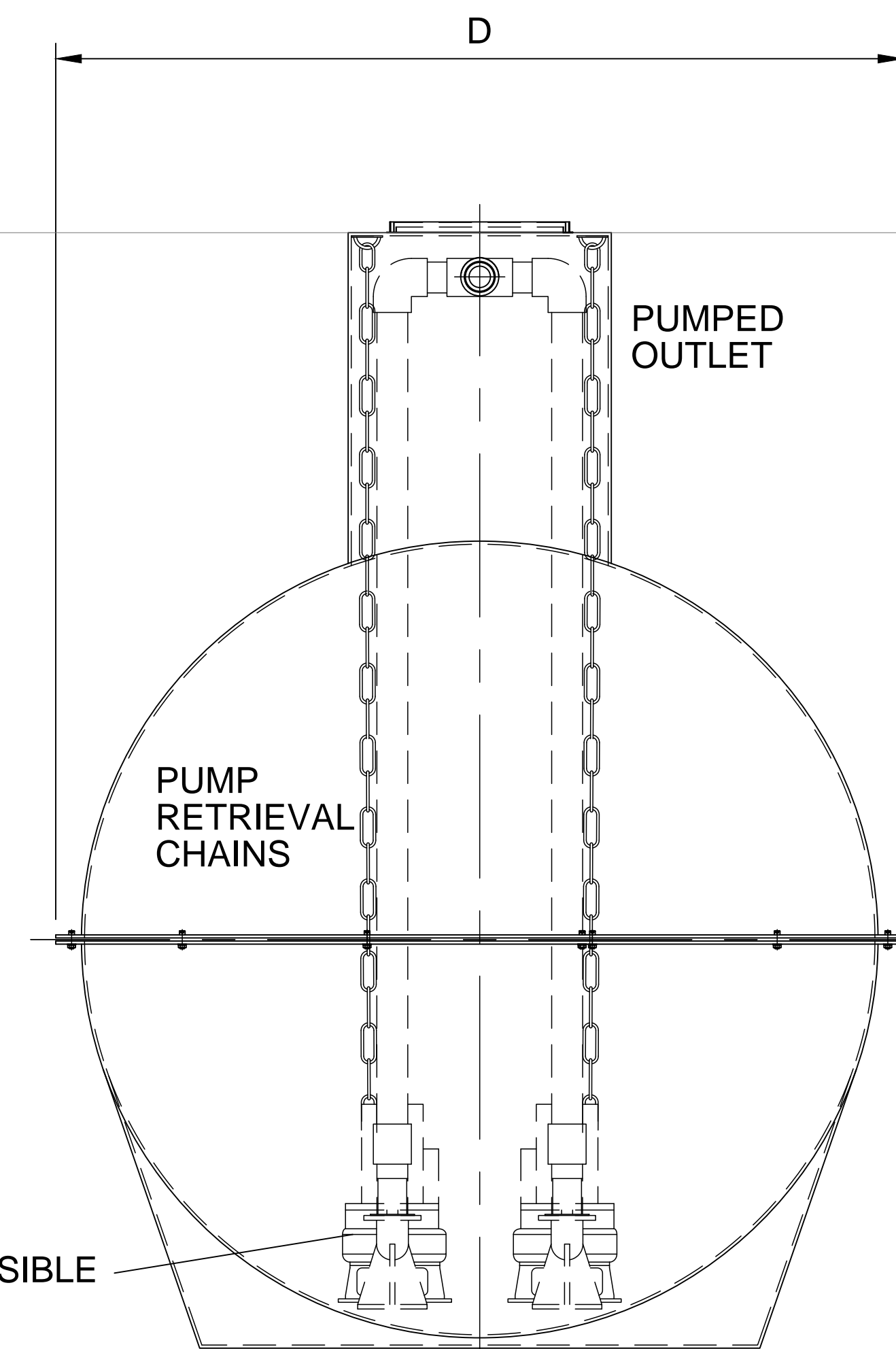


SIDE ELEVATION



VIEW ON OUTLET END

PUMP CHAMBER	CAPACITY LITRES	TURRET HEIGHT mm	INLET INVERT DEPTH mm	DIAMETER D mm	LENGTH L mm	INLET DIAMETER
C6000	6000	600	VARIABLE	1900	2950	160
C8000	8000				3650	
C10000	10000				4550	
C12000	12000				5200	
C14000	14000				5840	
C16000	16000				6700	
C18000	18000				7500	
C20000	20000				8100	

NOTES:  
1. TURRET HEIGHT AND INLET INVERT LEVELS

REV	DESCRIPTION	DATE	SIG	REV	DESCRIPTION	DATE	SIG	REV	DESCRIPTION	DATE	SIG	CLIENT
				A	For Approval	17.01.18						
									ORIG.	CHKD	APPD	
									SCALE	DATE		
									1:10	17.01.18		
									3 RD ANGLE PROJECTION	DO NOT SCALE IF IN DOUBT ASK		